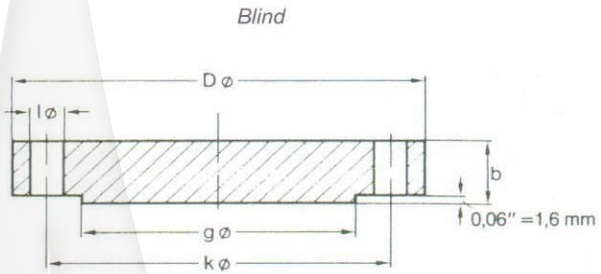
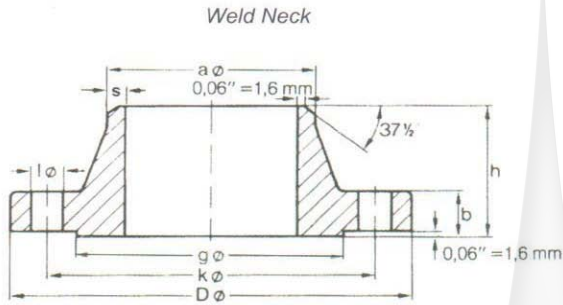


Carbon Steel Flanges
ANSI/ASME B16.5 150LBS



Përmasat	Diam. Tubit	Fllanxha			Drilling Template			
Size	Pipe Dia.	Flange						
		D	b	Me Gushë	g	n	I	K
				WN				
	mm	mm	mm	mm	mm		mm	mm
1/2"	21.3	95.3	14.2	52.3	35.1	4	15.7	66.5
3/4"	26.7	117.3	15.7	57.2	42.9	4	19.1	82.6
1"	33.4	124.3	17.5	62	50.8	4	19.1	88.9
1.1/4"	42.2	133.4	20.6	66.5	63.5	4	19.1	98.5
1.1/2"	48.3	155.4	22.4	69.9	73.2	4	22.4	114.3
2"	60.3	165.1	25.4	73.2	91.9	8	19.1	127
2.1/2"	73	190.5	28.4	79.2	104.6	8	22.4	149.4
3"	88.9	209.6	31.8	82.6	127	4	22.4	168.1
4"	114.3	273.1	38.1	101.6	157	8	25.4	215.9
5"	141.3	330.2	44.5	114.3	185.7	8	28.4	266.7
6"	168.3	355.6	47.8	117.3	215.9	12	28.4	292.1